

Teleskop-Einbaugarnitur/ Telescope casing Typ 9011

Technische Daten

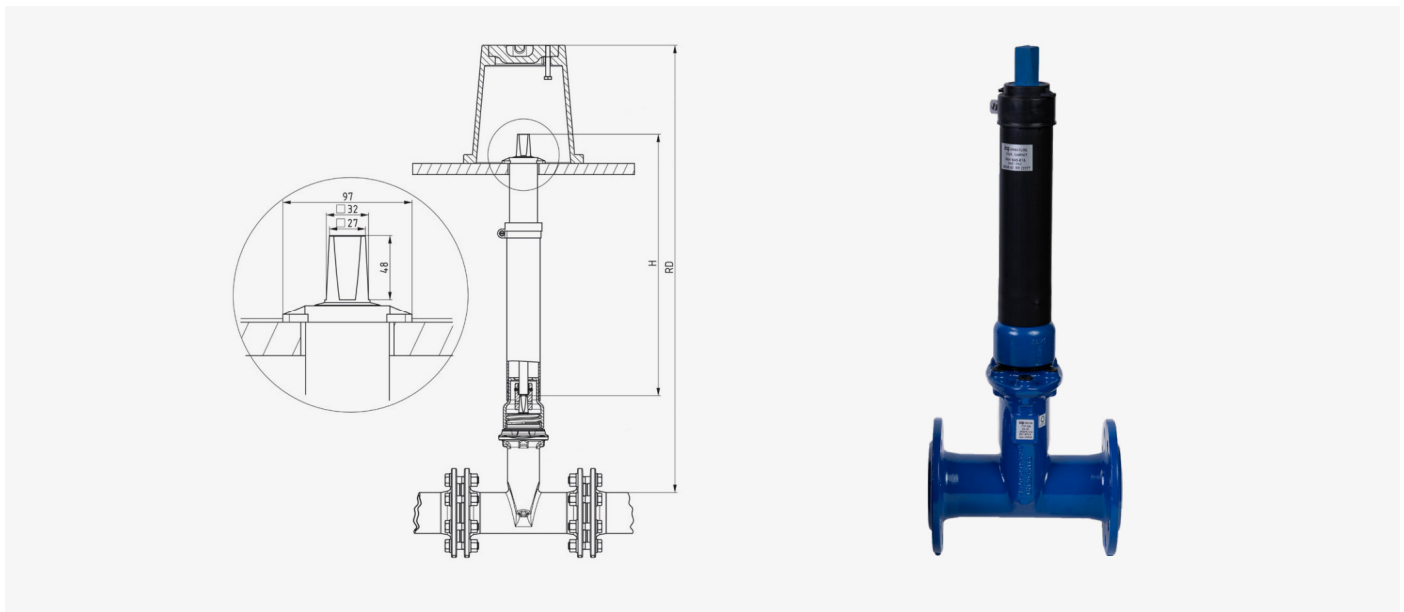
Material

Innenrohr: Stahl verzinkt
 Aussenrohr: PE
 Unterer Ventilschutz: EN GJS-400-15
 (DN 50 - 200) / PE (DN 250 - 600)
 Vierkant: EN GJS-400-15
 Schraubmaterial: A2

Specification

Material

Inner tube: galvanized steel
Outer pipe: PE
Lower valve protection: EN GJS-400-15 (DN 50 - 200) / PE (DN 250 - 600)
Square: EN GJS-400-15
Screw material: A2



RD/DN [mm]	50	65-80	100-150	200	250-300	350	400-600
390-560	595-765	645-815	745-915	795-965	945-1115	---	---
495-780	700-1100	750-1100	850-1150	900-1250	1050-1350	1150-1400	1300-1550
755-1300	1000-1600	1000-1600	1100-1650	1150-1750	1300-1850	1400-1900	1550-2060
1220-2090	1450-2400	1500-2400	1550-2450	1650-2550	1800-2650	1850-2700	2000-2860
2020-2890	2300-3200	2300-3200	2350-3250	2450-3350	2550-3450	2450-3350	2600-3500