

Keilovalschieber, Grauguss/Niro Gate valve, cast iron / stainless steel PA-023

Technische Daten

Bauform

Keilovalschieber nach DIN 3352
 PN 16, ab DN 200: PN 10 oder PN 16
 Außenliegende Spindel
 mit Handrad
 Baulänge nach F5
 Gehäuse: GG-25
 Sitz: Edelstahl

Specification

Design

Oval body gate valve acc. to DIN 3352
 PN 16, from DN 200: PN 10 or PN 16
 Outside stem
 with handwheel
 Face to face according to F5
 Body: GG-25
 Seat: stainless steel

Anschluss

Flanschanschluss nach DIN

Connection

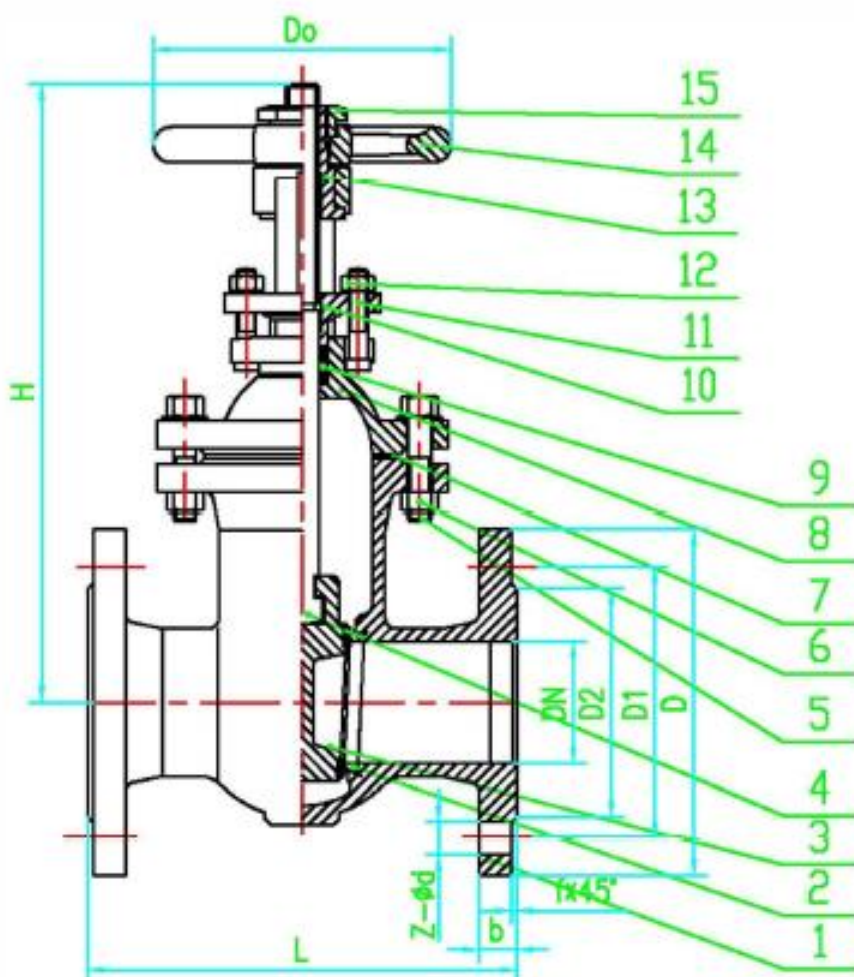
Flange connection according to DIN

Betriebstemperatur

max. 200°C

Operating temperature

max. 200°C



Nr.	Bezeichnung	Material
1	Body	GG25
2	Seat	Stainless Steel
3	Wedge Disc	GG25 + Brass
4	Stem	Stainless Steel
5	Bolt	Carbon Steel
6	Nut Gasket	Carbon Steel
7	Gasket	Graphite
8	Bonnet	GG25
9	Packing	Graphite
10	Gland	GG25
11	Bolt	Carbon Steel
12	Nut Gasket	Carbon Steel
13	Stem Nut	Brass
14	Wheel	GG25
15	Nut	GG25
16	Nut Gasket	Carbon Steel
17	Bolt	Carbon Steel
18	Gasket	Graphite
19	Small Bonnet	GG25

DN	L	D	D1	D2	b	Z - Ød	F	Weight (kgs)
40	240	150	110	88	18	4-19	3	16,8
50	250	165	125	102	20	4-19	3	21,5
65	270	185	145	122	20	4-19	3	30,2
80	280	200	160	138	22	8-19	3	32,8
100	300	220	180	158	22	8-19	3	44
125	325	250	210	188	24/26	8-19	3	61,2
150	350	285	240	212	24/26	8-23	3	84,6
200	400	340	295	268	26/30	8-23/12-23	3	130,8
250	450	395/405	350/355	320	28/32	12-23/12-27	3	176,8
300	500	445/460	400/410	370/378	28/32	12-23/12-27	4	252,85
350	550	500/520	460/470	430/438	30/36	16-23/16-27	4	305,2
400	600	565/580	515/525	482/490	32/38	16-27/16-30	4	428,2