

## Rückschlagklappe, Stahl und Edelstahl, mit Hebel und Gewicht/ Swing check valve, steel and stainless steel, with lever and counterweight PA-450HG/460HG

### Technische Daten

#### Bauform

Innenliegende Welle  
 Baulänge nach F1/F6  
 Nenndruck: PN 16/25/40  
 Gehäuse: GS-C25 oder Edelstahl  
 Trim: 13% Cr oder Edelstahl

### Specification

#### Design

Inside stem  
 Face to face according to F1/F6  
 Pressure: PN 16/25/40  
 Body: GS-C25 or stainless steel  
 Trim: 13% Cr or stainless steel

### Anschluss

Flanschen-Rückschlagklappe nach  
 DIN 3202

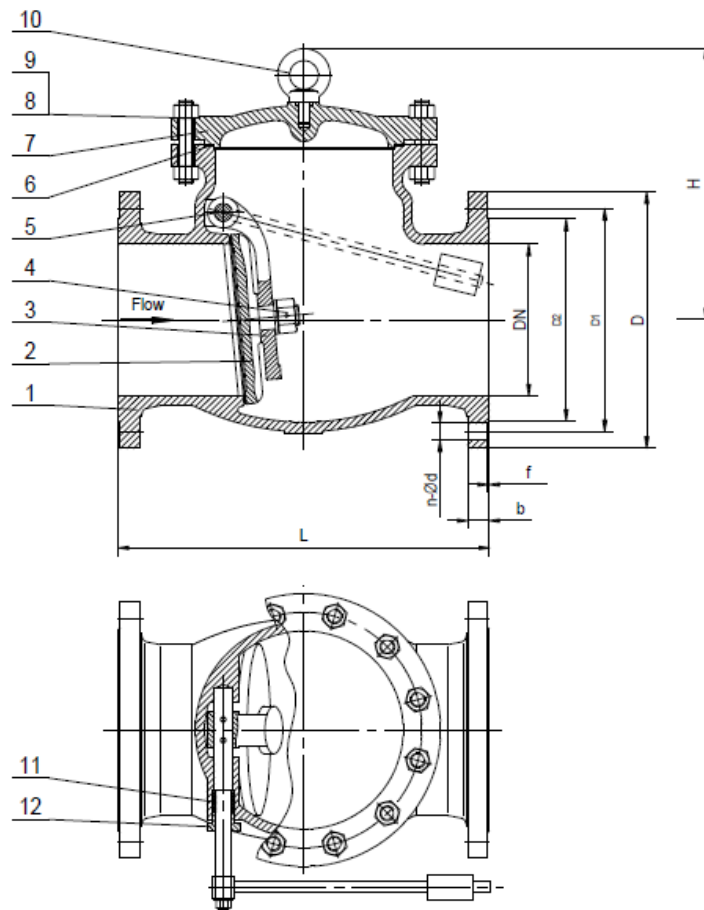
### Connection

Swing check valve with flanges  
 according to DIN 3202



**PA-450HG.235:** Gehäuse: GS-C25, PN 16 **PA-450HG.235:** Body: GS-C25, PN 16  
**PA-450HG.335:** Gehäuse: GS-C25, PN 25 **PA-450HG.335:** Body: GS-C25, PN 25  
**PA-450HG.435:** Gehäuse: GS-C25, PN 40 **PA-450HG.435:** Body: GS-C25, PN 40

**PA-460HG.266:** Gehäuse: 1.4408, PN 16 **PA-460HG.266:** Body: 1.4408, PN 16  
**PA-460HG.366:** Gehäuse: 1.4408, PN 25 **PA-460HG.366:** Body: 1.4408, PN 25  
**PA-460HG.466:** Gehäuse: 1.4408, PN 40 **PA-460HG.466:** Body: 1.4408, PN 40



| Nominal Diameter | Main Dimension (mm) - PN 16<br>PA-450HG.235 & PA-460HG.266 (F6) |    |     |     |   |        |     |     |
|------------------|---|----|-----|-----|---|--------|-----|-----|
|                  | D   | b  | D1  | D2  | f | n-Ø    | L   | H   |
| 40               | 150   | 18 | 110 | 88  | 2 | 4-Ø18  | 180 | 129 |
| 50               | 165   | 18 | 125 | 102 | 2 | 4-Ø18  | 200 | 147 |
| 65               | 185   | 18 | 145 | 122 | 2 | 8-Ø18  | 240 | 161 |
| 80               | 200   | 20 | 160 | 138 | 2 | 8-Ø18  | 260 | 178 |
| 100              | 220   | 20 | 180 | 158 | 2 | 8-Ø18  | 300 | 190 |
| 125              | 250   | 22 | 210 | 188 | 2 | 8-Ø18  | 350 | 265 |
| 150              | 285   | 22 | 240 | 212 | 2 | 8-Ø22  | 400 | 285 |
| 200              | 340   | 24 | 295 | 268 | 2 | 12-Ø22 | 500 | 345 |
| 250              | 405   | 26 | 355 | 320 | 2 | 12-Ø26 | 600 | 394 |
| 300              | 460   | 28 | 410 | 378 | 2 | 12-Ø26 | 700 | 420 |

| Nominal Diameter | Main Dimension (mm) - PN 25 + 40<br>PA-450HG.335/435 & PA-460HG.366/466 (F1) |    |     |     |   |        |     |     |
|------------------|--|----|-----|-----|---|--------|-----|-----|
|                  | D  | b  | D1  | D2  | f | n-Ø    | L   | H   |
| 50               | 165  | 20 | 125 | 102 | 2 | 4-Ø18  | 230 | 147 |
| 65               | 185  | 22 | 145 | 122 | 2 | 8-Ø18  | 290 | 161 |
| 80               | 200  | 24 | 160 | 138 | 2 | 8-Ø18  | 310 | 178 |
| 100              | 235  | 24 | 190 | 162 | 2 | 8-Ø22  | 350 | 190 |
| 125              | 270  | 26 | 220 | 188 | 2 | 8-Ø26  | 400 | 265 |
| 150              | 300  | 28 | 250 | 218 | 2 | 8-Ø26  | 480 | 285 |
| 200              | 375  | 34 | 320 | 285 | 2 | 12-Ø30 | 600 | 332 |
| 250              | 450  | 38 | 385 | 345 | 2 | 12-Ø33 | 730 | 395 |
| 300              | 515  | 42 | 450 | 410 | 2 | 16-Ø33 | 850 | 420 |

### Material PA-450HG.235/335/435

| No. | Part name    | Material                |
|-----|--------------|-------------------------|
| 1   | Body         | DIN 17245 GS-C25 + 13Cr |
| 2   | Disc         | DIN 17245 GS-C25 + 13Cr |
| 3   | Arm          | DIN 17245 GS-C25        |
| 4   | Disc Nut     | ASTM A194 2H            |
| 5   | Arm Pin      | ASTM A182 F6a           |
| 6   | Gasket       | Graphite + SS304        |
| 7   | Cover Nut    | ASTM A194 2H            |
| 8   | Cover Bolt   | ASTM A193 B7            |
| 9   | Cover        | DIN 17245 GS-C25        |
| 10  | Eye Bolt     | Carbon Steel            |
| 11  | Stem Packing | Flexible Graphite       |
| 12  | Gland Flange | Carbon Steel            |

### Material PA-460HG.266/366/466

| No. | Part name    | Material          |
|-----|--------------|-------------------|
| 1   | Body         | 1.4408            |
| 2   | Disc         | 1.4408            |
| 3   | Arm          | 1.4408            |
| 4   | Disc Nut     | ASTM A194 8M      |
| 5   | Arm Pin      | ASTM A182 F316    |
| 6   | Gasket       | Graphite + SS304  |
| 7   | Cover Nut    | ASTM A194 8M      |
| 8   | Cover Bolt   | ASTM A193 B8M     |
| 9   | Cover        | 1.4408            |
| 10  | Eye Bolt     | SS316             |
| 11  | Stem Packing | Flexible Graphite |
| 12  | Gland Flange | S.S               |