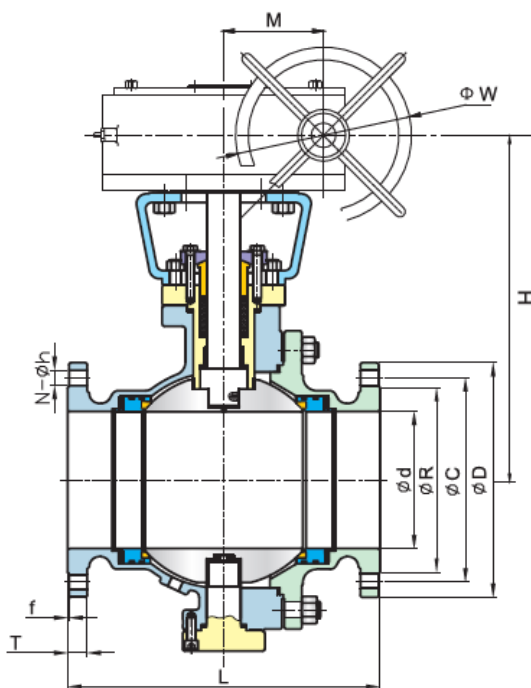
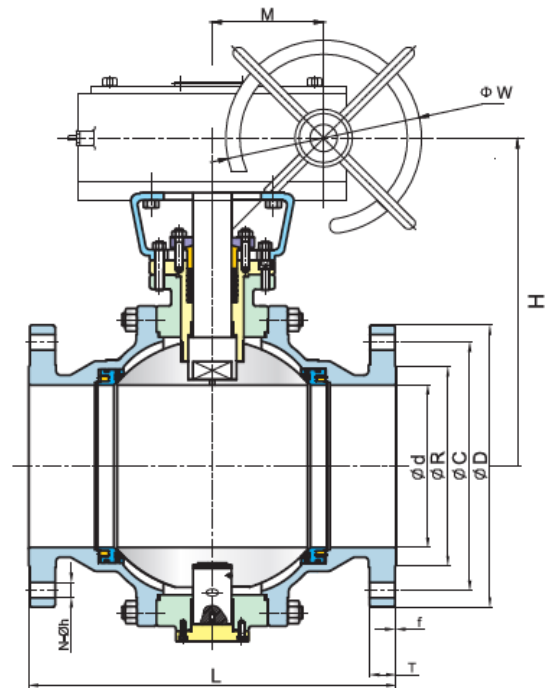


Flanschkugelhahn, Stahl, gelagerte Kugel Flanged ball valve, steel, trunnion mounted Typ PA-19TM.235/435.P

Technische Daten	Specification
Bauform	Design
Voller Durchgang	Full port
2-teilig	2-pc.
Flansche nach DIN PN 16 oder 40	Flanges according to DIN PN 16 or 40
Gehäuse: WCB A216	Body: WCB A216
Kugel: AISI 304	Ball: AISI 304
Dichtung: TFM-1600	Seat: TFM-1600
gelagerte Kugel	Trunnion mounted
mit Schneckenradgetriebe und ISO-Aufbauflansch	with gearbox and with ISO-Mountingpad
PA-19TM.235.P (PN 16)	PA-19TM.235.P (PN 16)
PA-19TM.435.P (PN 40)	PA-19TM.435.P (PN 40)
Anschluss	Connection
Flanschanschluss	with flanges
Betriebstemperatur	Temperature Range
max. 180°C	max. 180°C

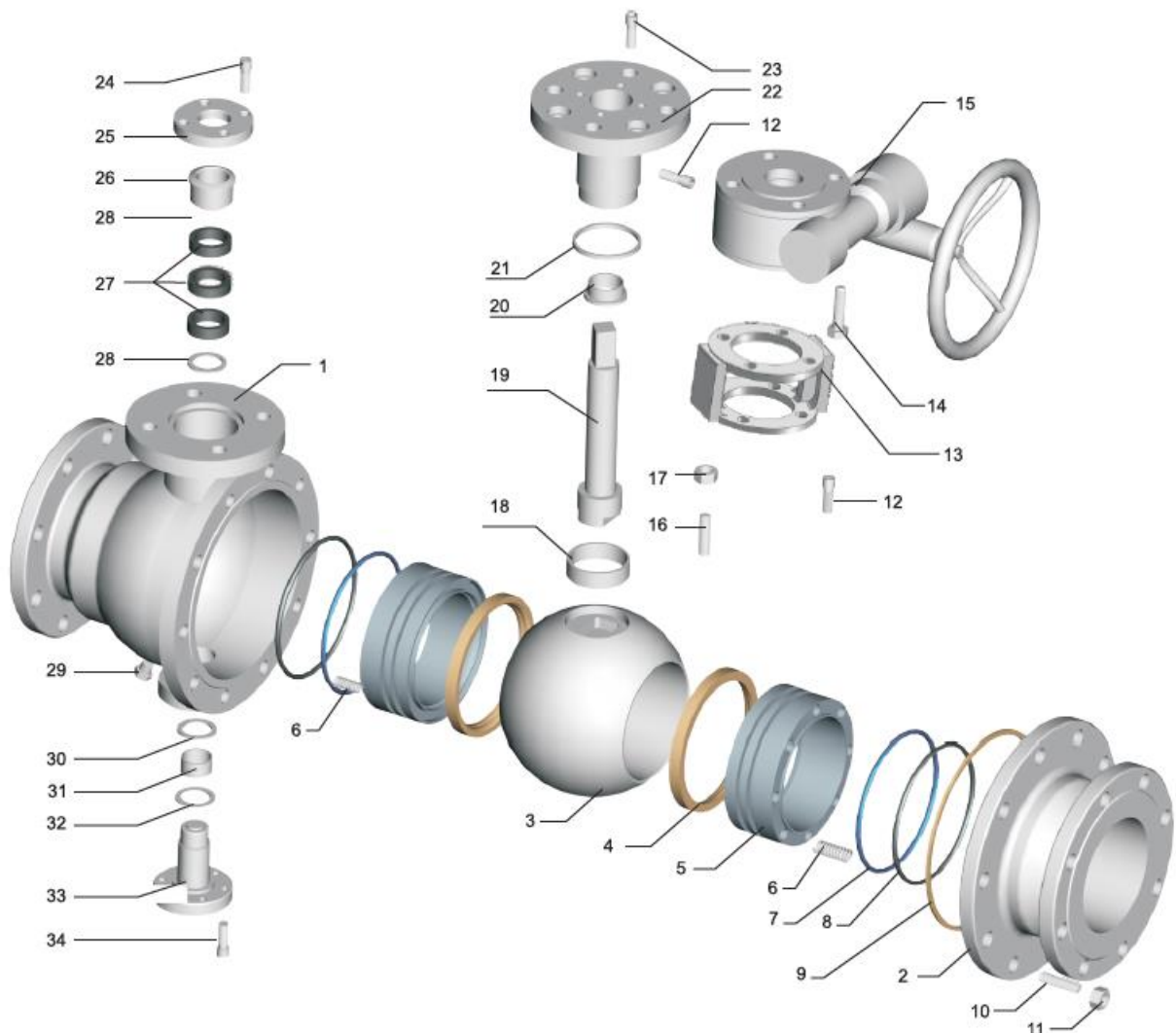


DN150~DN300
(2-PC Body)



DN350~DN600
(3-PC Body)

Size	PN	d	L	R	C	D	f	T	N	h	H	W	M	ISO 5211 on Valve
DN 150	16	150	394	212	240	285	2	22	8	22	420	400	105	F16
	40	150	403	218	250	300	2	28	8	26	420	400	105	
DN 200	16	200	457	268	295	340	2	24	12	22	485	400	105	F16
	40	200	502	278	320	375	2	34	12	30	485	500	120	
DN 250	16	250	533	320	355	405	2	26	12	26	500	500	126	F16
	40	250	568	345	385	450	2	38	12	33	500	500	126	
DN 300	16	300	610	378	410	460	2	28	12	26	540	500	126	F25
	40	300	648	410	450	515	2	42	16	33	540	500	126	
DN 350	16	336	686	438	470	520	2	30	16	26	630	500	126	F25
	40	336	762	465	510	580	2	46	16	36	630	710	138	
DN 400	16	387	762	490	525	580	2	32	16	30	680	710	138	F25
	40	387	838	535	585	660	2	50	16	39	680	710	138	
DN 450	16	438	864	550	585	640	2	40	20	30	720	710	138	F25
	40	432	914	560	610	685	2	57	20	39	720	710	138	
DN 500	16	489	914	610	650	715	2	44	20	33	760	710	138	F30
	40	483	991	615	670	755	2	57	20	42	760	710	138	
DN 600	16	590	1067	725	770	840	2	54	20	36	890	710	138	F30
	40	584	1143	735	795	890	2	72	20	48	890	800	150	



NO.	Part Name	Materials
1	Body	A216-WCB
2	Body Cap	A216-WCB
3	Ball	A182-F304
4	Seat Seal	TFM1600
5	Seat	A182-F316
6	Spring	SUS631
7	O-Ring	FKM/Silicon
8	Sealing Ring	Grafoil/FKM
9	Body Gasket	304 Spiral Wound + Grafoil / PTFE
10	Stud	A193-B7
11	Hexagon Nut	A194-2H
12	Injection Sealing	SUS316
13	Yoke	A216-WCB
14	Hexagon Bolt	A193-B7
15	Worm Gear	Package
16	Stud Bolt	A193-B7
17	Hexagon Nut	A194-2H
18	Wear Sleeve	50%SS + 50%PTFE
19	Stem	A182-F304
20	Stem Sleeve	50%SS + 50%PTFE
21	Mid. Flange Gasket	304 Spiral Wound + Grafoil / PTFE
22	Mid. Flange	A216-WCB
23	Hexagon Socket Cap Head Screw	A193-B7
24	Hexagon Socket Cap Head Screw	A193-B7
25	Packing Plate	A216-WCB
26	Gland	A351-CF8
27	Stem Packing	Grafoil / PTFE
28	Packing Gasket	316
29	Drain Plug	304
30	Bottom End Cap Wear Bushing	50%SS + 50%PTFE
31	Bottom End Cap Sleeve	50%SS + 50%PTFE
32	Bottom End Cap Seal Ring	304 Spiral Wound + Grafoil / PTFE
33	Bottom End Cap	A182-F304
34	Hexagon Socket Cap Head Screw	A193-B7