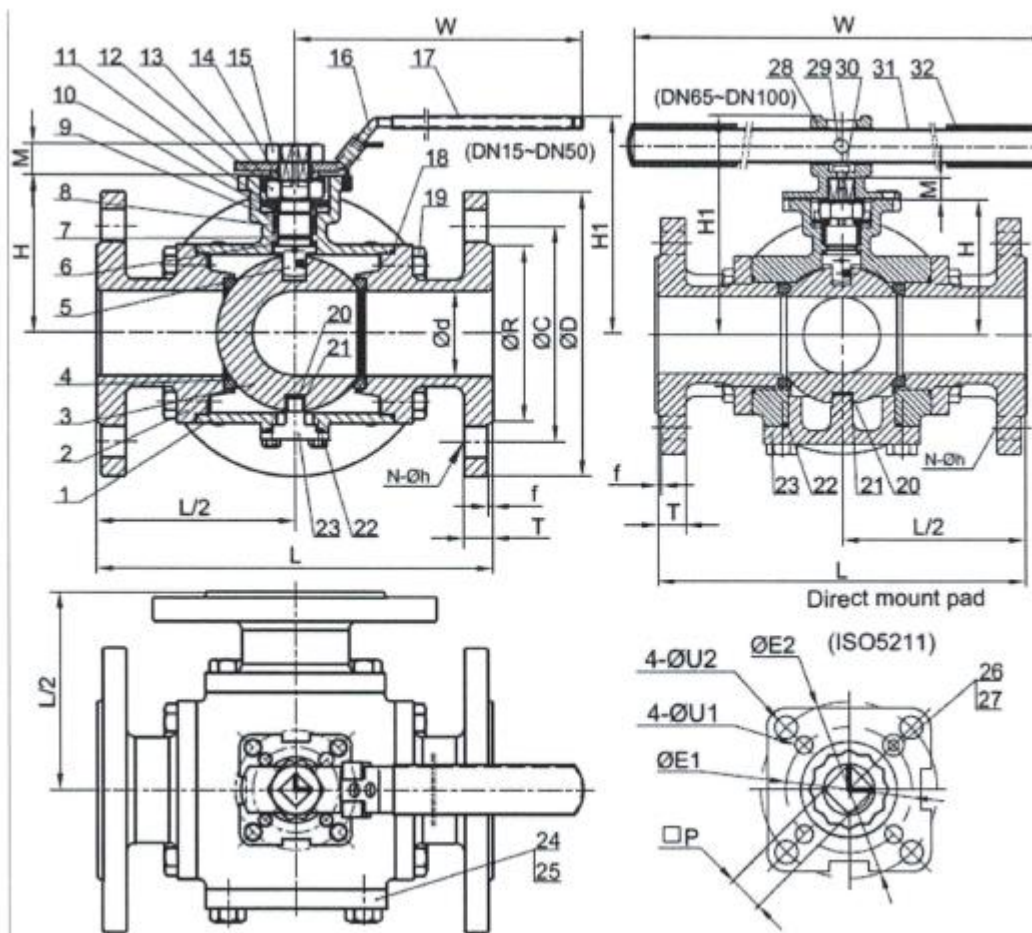
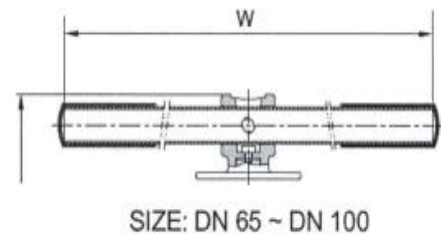
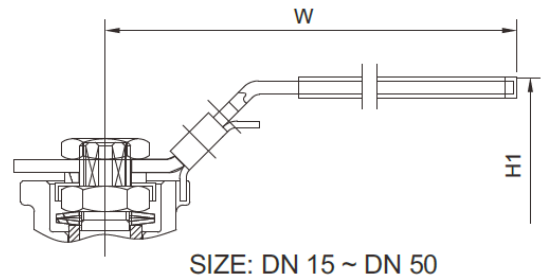


3-Wege Flansch-Kugelhahn, Edelstahl / 3-way flanged ball valve, stainless steel PA-48D.266/466.P

Technische Daten	Specification
Bauform	Design
Voller Durchgang	Full bore
ISO-Direktaufbauflansch	ISO-Directmountingpad
Anschluss	Connection
Beidseitig Flansch	Flanged Ends
L - oder T - Bohrung	L - or T - bore
DN 15 - DN 200	DN 15 - DN 200
Betriebsdruck	Pressure Range
PN 16 / PN 40	PN 16 / PN 40
Betriebstemperatur	Temperature Range
max. 180°C	max. 180°C



NO.	Part Name	Materials
1	Body	1.4408
2	End Cap (1)	1.4408
3	Ball	CF8M
4	Ball Seat	PTFE/TFM1600
5	Stem (Anti-Static Device)	316
6	Thrust Washer	PTFE
7	O-Ring	FKM
8	Packing	PTFE/Grafoil
9	Bushing	50%SS + 50%PTFE/304
10	Gland	316
11	Belleville Washer	301
12	Stem Nut	A194-8
13	Stop-lock-cap	304
14	Handle Gland	304
15	Handle Nut (DN15 – DN 50)	A194-8
16	Handle + Lock Device (DN15 – DN50)	304
17	Handle Sleeve (DN15 – DN 50)	Vinyl Plastic
18	Body Gasket (1)	PTFE/Grafoil
19	Bolting	A2-70
20	Washer	PTFE
21	Jacket	PTFE
22	Body Gasket (2)	PTFE/Grafoil
23	Bottom Cap	1.4408
24	End Cap (2)	1.4408
25	Body Gasket (3) (DN65 – DN100)	PTFE/Grafoil
26	Stop Bolt	A2-70
27	Stop Nut	A2-70
28	Handle Adapter (DN65 – DN100)	CF8
29	Set Screwed (DN65 – DN100)	A2-70
30	Bolting (DN65 – DN100)	A2-70
31	Pipe Handle (DN65 – DN100)	A53+Plated Zn
32	Handle Sleeve (DN65 – DN100)	Vinyl Plastic



SIZE	PN	d	R	C	D	f	T	L	H1	W	H	M	P	N	h	U1	U2	E1	E2	ISO 5211	
DN15	1/2"	10~40	15	45	65	95	2	16	150	83.3	144.5	52.5	9	9	4	14	6	6	36	42	F03-F04
DN20	3/4"	10~40	20	58	75	105	2	18	165	87.0	144.5	57.0	9	9	4	14	6	7	36	50	F03-F05
DN25	1"	10~40	25	68	85	115	2	18	181	99.0	175.0	68.0	11	11	4	14	6	7	42	50	F04-F05
DN32	1-1/4"	10~40	32	78	100	140	2	18	190	103.0	175.0	72.0	11	11	4	18	6	9	42	70	F04-F07
DN40	1-1/2"	10~40	38	88	110	150	3	18	212	119.0	200.0	85.0	14	14	4	18	7	9	50	70	F05-F07
DN50	2"	10~40	49	102	125	165	3	20	230	126.0	200.0	92.0	14	14	4	18	7	9	50	70	F05-F07
DN65	2-1/2"	10/16 25/40	63	122	145	185	3	18 22	290	172.0	400.0	107.0	17	17	4 8	18	9	11	70	102	F07-F10
DN80	3"	10/16 25/40	75	138	160	200	3	20 24	310 340	185.0	400.0	119.0	17	17	8	18	9	11	70	102	F07-F10
DN100	4"	10/16 25/40	99	158 162	180 190	220 235	3	20 24	350 386	221.0	400.0	150.0	22	22	8	18	N/A	11	N/A	102	F10
DN150	6"	10/16 25/40	150	212 218	240 250	285 300	3	22 28	490 520	—	500.0	229.0	36	36	8	22	18	22	140	165	F14-F16
DN200	8"	10 16 25 40	200	268 278 285	295 310 320	340 360 375	3	24 30 34	620 660	—	500.0	252.0	36	36	8 12	22 26 30	18	22	140	165	F14-F16