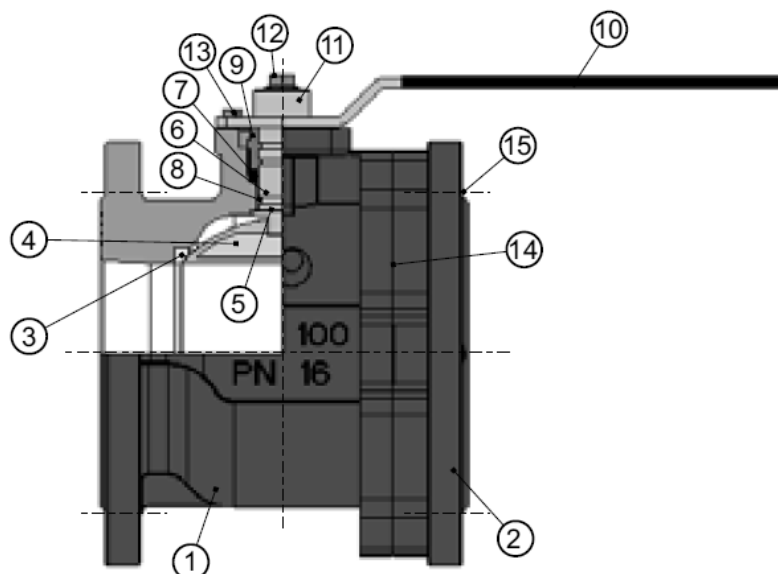


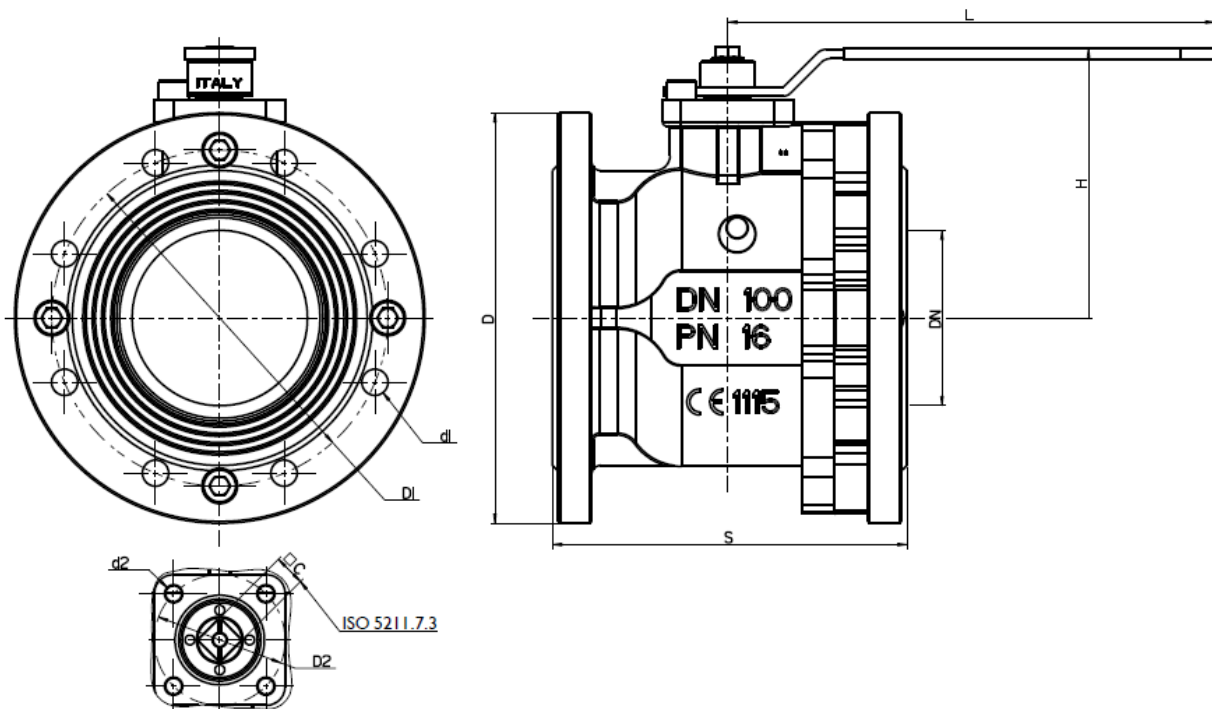
Flansch-Kugelhahn, Grauguss/ *Flanged ball valve, cast iron* PA-077.218.P / PA-077.216.P

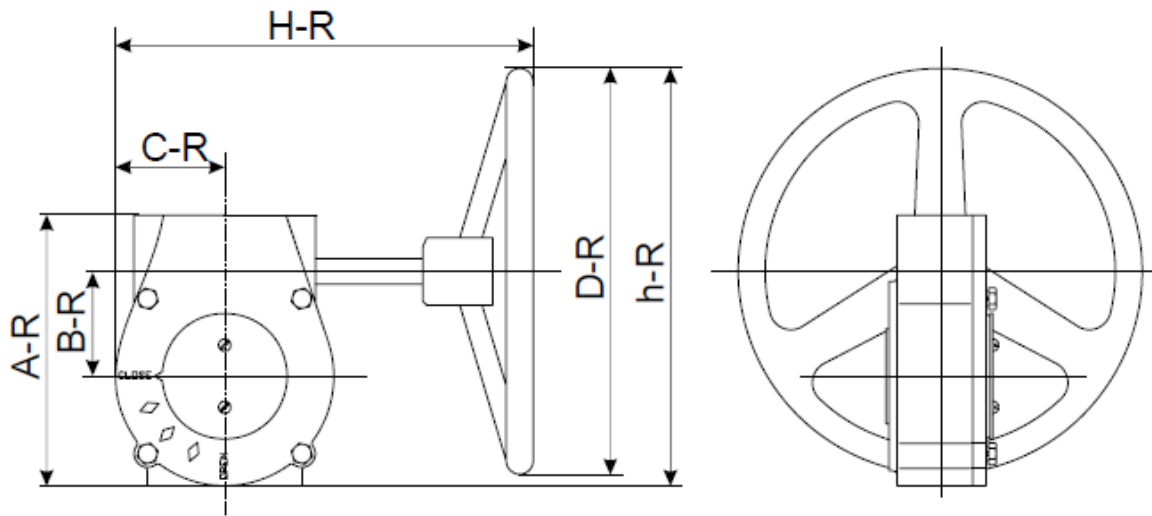
Technische Daten	Specification
Bauform	Design
Voller Durchgang	Full port
ISO-Direktaufbauflansch	ISO-Directmountingpad
Anschluss	Connection
Beidseitig Flansch	Flanged Ends
DN 20 - DN 200	DN 20 - DN 200
Baulänge nach DIN 3202 / F4	Face to face according to DIN 3202 / F4
PA-077.218.P	PA-077.218.P
Gehäuse: GG-25	Body: GG-25
Dichtung: PTFE	Seat: PTFE
Kugel: Messing hartverchromt	Ball: brass chrome plated
PA-077.216.P	PA-077.216.P
Gehäuse: GG-25	Body: GG-25
Dichtung: PTFE	Seat: PTFE
Kugel: Edelstahl AISI 304	Ball: stainless steel AISI 304
Betriebsdruck	Pressure Range
PN 16	PN 16
Betriebstemperatur	Temperature Range
min. -10°C / max. 150°C	min. -10°C / max. 150°C



Size	KV
DN 20	45
DN 25	60
DN 32	100
DN 40	170
DN 50	265
DN 65	510
DN 80	790
DN 100	1230
DN 125	1900
DN 150	2900
DN 200	5700

N	PART NAME	MATERIAL	TREATMENT
1	Body	Cast iron GJL250	Painted
2	Flange	Cast iron GJL250	Painted
3	Seat	PTFE	
4	Ball	Brass G-CuZn38Pb2-UNI 5035/62	Chrome plated
4*	Ball	AISI 304	
5	Seat	PTFE	
6	Stem	AVP - 9SMnPb36	
6*	Stem	AISI 304	
7	O-Ring	FP	
8	O-Ring	FP	
9	Packing nut	Brass CW 614N - UNI EN 12164/98	
10	Handle	Steel	Plastic coated
11	Cap	Brass CW 614N - UNI EN 12164/98	Nickel plated
12	Screw	Steel	Zinc plated
13	Screw	Steel	Zinc plated
14	O-Ring	FP	
15	Screw	Steel	Zinc plated





DN	∅	S	H	L	D	a	N°fori	M°fori	D°fori	F.ISO	∅F	□C	A-R	B-R	C-R	D-R	h-R	H-R
20	20	120	73	200	105	75	4	*	14	F04	42	9	*	*	*	*	*	*
25	25	125	77	200	115	85	4	*	14	F04	42	9	*	*	*	*	*	*
32	32	130	82	200	140	100	4	*	18	F04	42	9	*	*	*	*	*	*
40	40	140	92	240	150	110	4	*	18	F05	50	14	127	45	52	150	175	210
50	50	150	99	240	165	125	4	*	18	F05	50	14	127	45	52	150	175	210
65	61	170	121	260	185	145	4	*	18	F07	70	14	127	45	52	150	175	210
80	74	180	130	260	200	160	8	*	18	F07	70	14	127	45	52	150	175	210
100	95	190	144	260	220	180	8	*	18	F07	70	14	127	45	52	150	175	210
125	120	200	185	450	250	210	8	M16	*	F10	102	22	170	63	73	288	280	315
150	145	210	204	450	285	240	8	M20	*	F10	102	22	170	63	73	288	280	315
200	200	400	325	700	340	295	12	*	22	*	*	*	*	*	*	*	*	*