

Trinkwasser-Kugelhahn, Messing/ Ball valve, brass PA-160.388.P

Technische Daten

Specification

Bauform

Voller Durchgang
 Mit Handhebel
 Gehäuse: Messing vernickelt
 Kugel: Messing hartverchromt
 Dichtung: PTFE

Design

Full port
 With handle
 Body: brass nickel plated
 Ball: brass chrome plated
 Seat: PTFE

Anschluss

Beidseitig Innengewinde
 3/8" – 2"

Connection

Female threads
 3/8" – 2"

Betriebsdruck

PN 25

Pressure Range

PN 25

Betriebstemperatur

min. -10 °C - max. 90°C

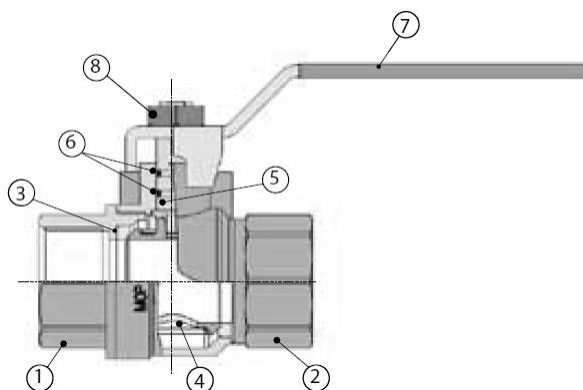
Temperature Range

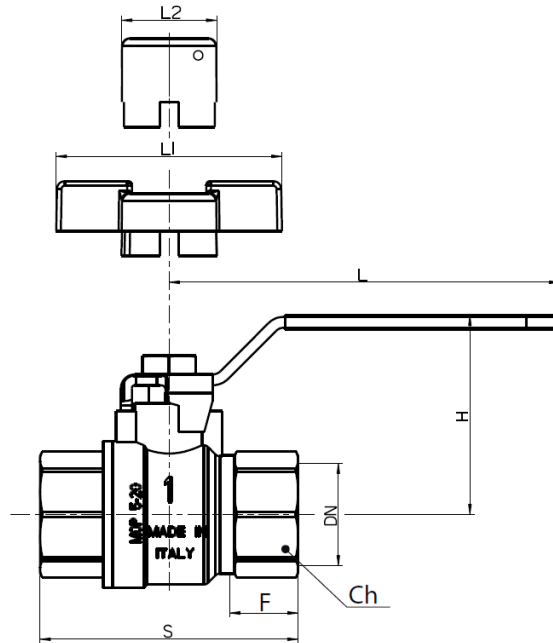
min. -10 °C - max. 90°C



Trinkwasser

NO	PARTS	MATERIAL	TREATMENT
1	Body	Brass CW617N-DW - UNI EN12165	
2	Body End	Brass CW617N-DW - UNI EN12165	
3	Seat	PTFE	
4	Ball	Brass CW614N-DW - UNI EN12165	Chrome plated
5	Stem	Brass CW614N-DW - UNI EN12164	
6	O-Ring	NBR	
7	Handle	Steel	Plastic coated
8	Nut	Steel	Zinc plated





SIZE	Ø	F	S	H	L	L1	L2	Ch
3/8"	10	10	45	41	80	50		21
1/2"	15	15	63	54	90	61	29	26
3/4"	20	16	71	58	90	61	29	31
1"	25	19	83	66	125	72	33	38
1 1/4"	32	21	92	71	125		33	48
1 1/2"	40	21	104	80	140		44	55
2"	50	26	124	88	140		44	68