

Edelstahlkugelhahn, 3-teilig, Flanschausführung/ Stainless steel ball valve, 3-pc., flange version PA-16D.466.P

Technische Daten

Bauform
 3-teilig
 Voller Durchgang
 Baulänge nach DIN 3202 F1
 Mit ISO-Direktaufbauflansch
 Mit Handhebel
 Gehäuse: Edelstahl 1.4408
 Kugel: Edelstahl 1.4408
 Dichtung: TFM-1600

Specification

Design
 3-piece
 Full port
 Face to face according to DIN 3202 F1
 With ISO-Directmountingpad
 With handle
 Body: 1.4408
 Ball: 1.4408
 Seat: TFM-1600

Anschluss

Beidseitig Flanschende
 DN 15 – DN 100

Connection

Flanged ends
 DN 15 – DN 100

Betriebsdruck

PN 40

Pressure Range

PN 40

Betriebstemperatur

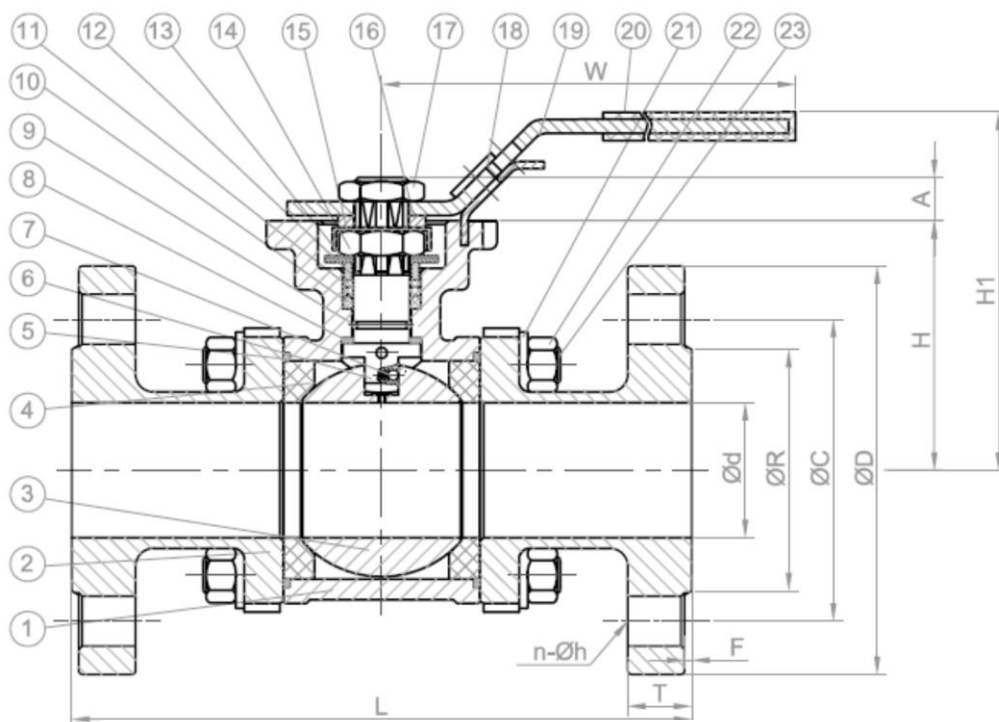
max. 180°C

Temperature Range

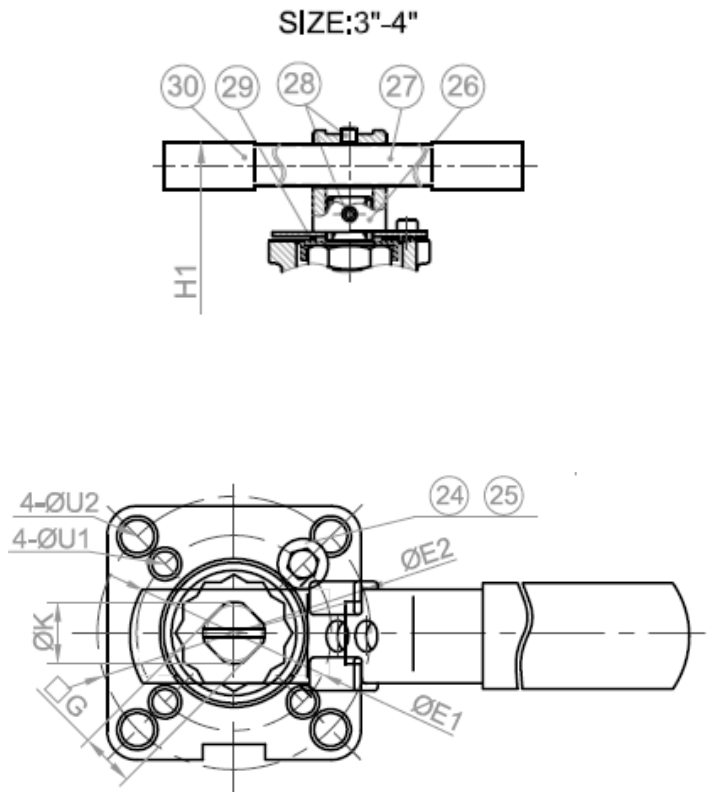
max. 180°C



**TA-LUFT
 ATEX**



NO.	Part Name	Materials
1	Body	1.4408 / CF8M
2	End Cap	1.4408 / CF8M
3	Ball	1.4408 / CF8M
4	Ball Seat	TFM1600
5	Body Gasket	TFM1600
6	Stem	SUS316 / 304
7	Anti-Static	SUS316 / 304
8	Thrust Washer	TFM1600
9	O-Ring	FKM (Viton)
10	V-Ring Stem Packing	TFM1600/PTFE/RTFE
11	Bushing	50%SS + 50% PTFE
12	Gland	SUS316
13	Belleville Washer	SUS301
14	Stem Nut	A194-8
15	Stop-Lock-Cap	SUS304
16	Handle Gland	SUS304
17	Handle Nut	A194-8
18	Lock device	SUS304
19	Handle	SUS304
20	Handle Sleeve	Vinyl Plastic
21	Bolt Washer	SUS304
22	Bolt Nut	A194-8
23	Bolting	A193-B8
24	Stop Bolt	A193-B8
25	Bolt Nut	A194-8
26	Handle Adapter (3" - 4")	A351-CF8
27	Pipe Handle (3" - 4")	SUS304
28	Set Screwed (3" - 4")	A193-B8
29	Triangle Stopper (3" - 4")	SUS304
30	Handle Sleeve (3" - 4")	Vinyl Plastic



■ DIN PN10-40 DIMENSION TABLE

Unit: mm

SIZE	Ød	L	H	H1	ØK	G	A	ØE1	ØE2	ØU1	ØU2	F	T	n	Øh	W	ØR	ØC	ØD
1/2"	15.0	130.0	42.0	69.0	7/16-20UNF	9.0	9.0	36.0	42.0	6.0	6.0	2.0	16.0	4	Ø14	145.0	Ø45	Ø65	Ø95
3/4"	20.0	150.0	48.5	76.0	7/16-20UNF	9.0	9.0	36.0	50.0	6.0	7.0	2.0	18.0	4	Ø14	145.0	Ø58	Ø75	Ø105
1"	25.0	160.0	58.5	89.0	9/16-18UNF	11.0	11.0	42.0	50.0	6.0	7.0	2.0	18.0	4	Ø14	175.0	Ø68	Ø85	Ø115
1-1/4"	32.0	180.0	63.0	93.5	9/16-18UNF	11.0	11.0	42.0	70.0	6.0	9.0	2.0	18.0	4	Ø18	175.0	Ø78	Ø100	Ø140
1-1/2"	38.0	200.0	71.3	103.0	3/4-16UNF	14.0	14.0	50.0	70.0	7.0	9.0	3.0	18.0	4	Ø18	190.0	Ø88	Ø110	Ø150
2"	50.0	230.0	78.2	109.0	3/4-16UNF	14.0	14.0	50.0	70.0	7.0	9.0	3.0	20.0	4	Ø18	190.0	Ø102	Ø125	Ø165
2-1/2"	63.5	290.0	100.0	147.0	7/8-14UNF	17.0	17.0	70.0	102.0	9.0	11.0	3.0	22.0	8	Ø18	265.0	Ø122	Ø145	Ø185
3"	76.0	310.0	108.5	173.0	7/8-14UNF	17.0	17.0	70.0	102.0	9.0	11.0	3.0	24.0	8	Ø18	300.0	Ø138	Ø160	Ø200
4"	100.0	350.0	140.0	205.0	1-1/8-12UNF	22.0	22.0	non	102.0	non	11.0	3.0	24.0	8	Ø22	400.0	Ø162	Ø190	Ø235