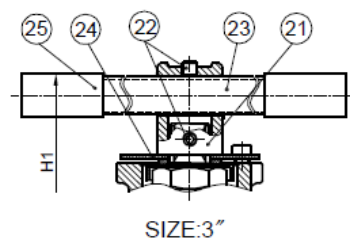
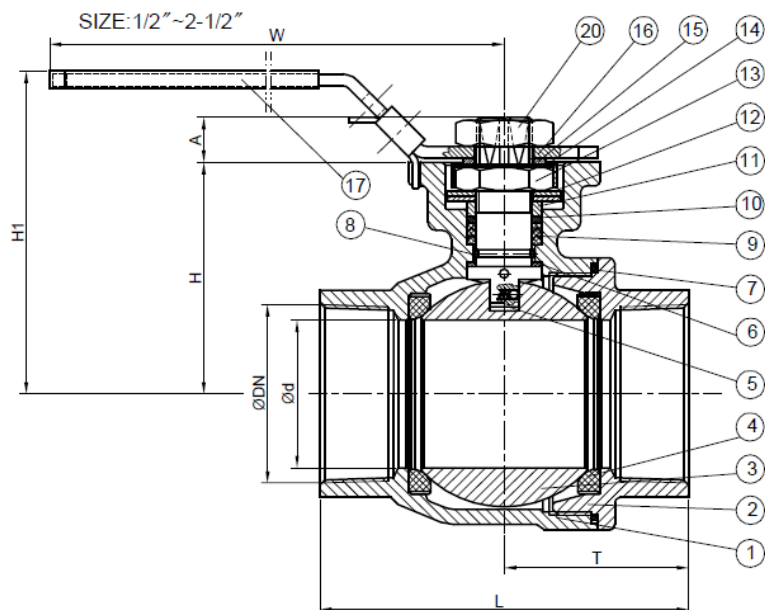
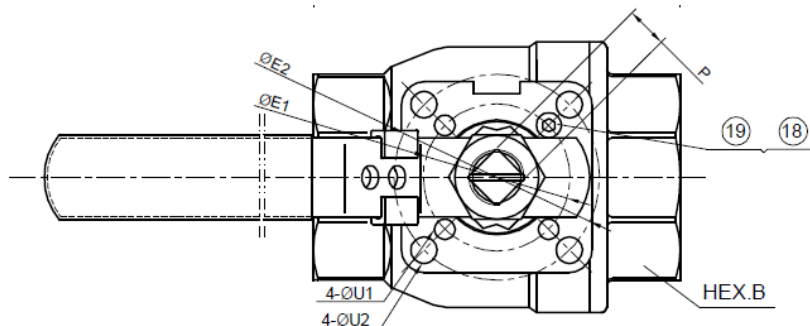


Edelstahlkugelhahn, 2-teilig/ Stainless steel ball valve, 2-pc. PA-842D.566.P

Technische Daten	Specification
Bauform	Design
2-teilig	2-piece
Voller Durchgang	Full port
Mit Handhebel	With handlelever
Mit ISO-Direktaufbauflansch	With ISO-Directmountingpad
Gehäuse: Edelstahl 1.4408	Body: 1.4408
Kugel: Edelstahl 1.4408	Ball: 1.4408
Dichtung: TFM-1600	Seat: TFM-1600
Anschluss	Connection
Beidseitig Gewindeende	Threaded ends
¼" – 3"	¼" – 3"
Betriebsdruck	Pressure Range
PN 63	PN 63
Betriebstemperatur	Temperature Range
max. 180°C	max. 180°C



TA-LUFT
ATEX



NO.	Part Name	Materials
1	Body	1.4408 / CF8M
2	End Cap	1.4408 / CF8M
3	Ball	1.4408 / CF8M
4	Ball Seat	TFM1600
5	Stem	SUS316
6	Thrust Washer	TFM1600
7	Body Gasket	TFM1600
8	O-Ring	FKM (Viton)
9	V-Ring Packing	PTFE
10	Bushing	50% SS + 50% PTFE
11	Gland	SUS316
12	Belleville Washer	SUS301
13	Stem Nut	A194-8
14	Stop-Lock-Cap	SUS304
15	Handle Gland	SUS304
16	Handle + Lock Device	SUS304
17	Handle Sleeve	Vinyl Plastic
18	Stop Bolt	A193-B8
19	Stop Nut	194-8
20	Handle Nut	194-8
21	Handle Adapter	A351-CF8
22	Set Screwed	A193-B8
23	Pipe Hanle	SUS304
24	Triangle Stopper	SUS304
25	Handle Sleeve	Vinyl Plastic

SIZE	Ød	L	H	H1	W	ØE1	ØE2	T	ØU1	ØU2	A	P	HEX.B	ØDN
1/4 "	10.6	67	42.5	70.5	145	36	42	33.5	6	6	9	9	27	NPT
3/8 "	12.7	67	42.5	70.5	145	36	42	33.5	6	6	9	9	27	
1/2 "	15	67	42.5	70.5	145	36	42	33.5	6	6	9	9	27	
3/4 "	20	70.4	49	77	145	36	50	35.2	6	7	9	9	32	BSP
1 "	25	85	57.9	88	175	42	50	42.5	6	7	11	11	41	PT
1-1/4 "	32	94	62.5	93	175	42	70	47	6	9	11	11	50	DIN
1-1/2 "	38	105	71.5	103	190	50	70	52.5	7	9	14	14	56	etc.
2 "	50	125	78.4	110	190	50	70	62.5	7	9	14	14	70	
2-1/2 "	63.5	155	101.6	149.6	267.5	70	102	77.5	9	11	17	17	83	
3 "	76	173	110.6	175	300	70	102	86.5	9	11	17	17	102	