

Edelstahlkugelhahn, 3-teilig, Gewindeende/ Stainless steel ball valve, 3-pc., threaded ends PA-013.566.P

Technische Daten

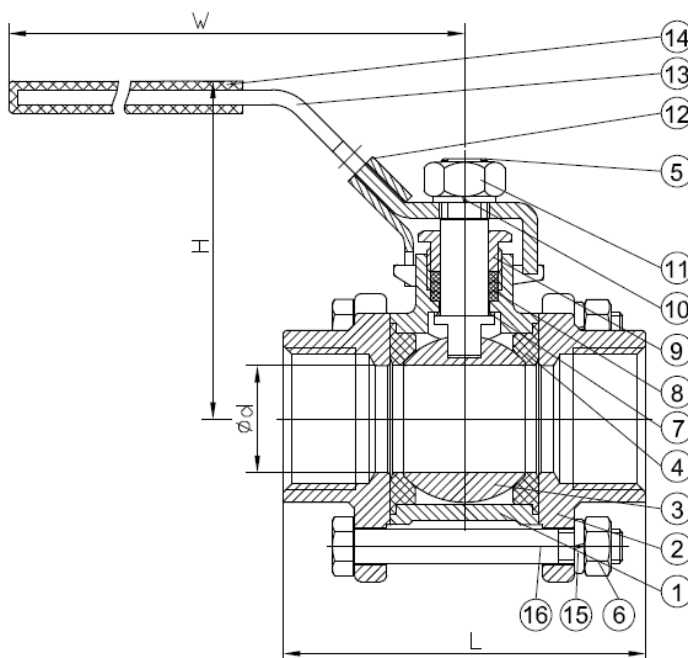
Specification

Bauform	Design
3-teilig	3-piece
Voller Durchgang	Full port
Mit Handhebel	With handle
Gehäuse: Edelstahl 1.4408	Body: 1.4408
Kugel: Edelstahl 1.4408	Ball: 1.4408
Dichtung: R-PTFE	Seat: R-PTFE

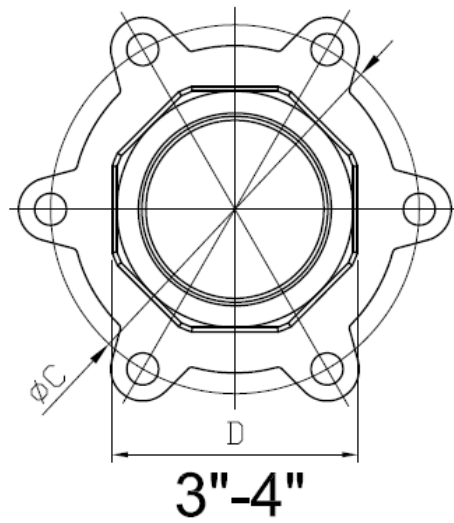
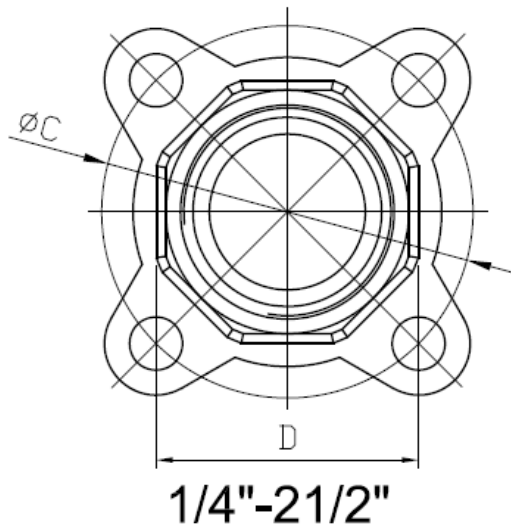
Anschluss	Connection
Beidseitig Gewindeende	Female thread
¼" – 4"	¼" – 4"

Betriebsdruck	Pressure Range
PN 63	PN 63

Betriebstemperatur	Temperature Range
max. 180°C	max. 180°C



NO.	Part Name	Materials
1	Body	1.4408 / CF8M
2	Cap	1.4408 / CF8M
3	Ball	1.4408 / CF8M
4	Seat	PTFE
5	Stem	SS316
6	Hex Nut	SUS304
7	Thrust Washer	PTFE
8	Packing	PTFE
9	Gland	SUS304
10	Spring Washer	SUS304
11	Stem Nut	SUS304
12	Locking Device	SUS304
13	Handle	SUS304
14	Plastic Cover	Plastic
15	Bolt Washer	SUS304
16	Plastic Cover	SUS304



Size		d	L	H	W	C	D
DN	NPS						
6	1/4"	11.6	58	52	102	37.5	20
10	3/8"	12.7	58	54	102	37.5	20
15	1/2"	15	63	62	123	45.5	25
20	3/4"	20	73	66	123	52.5	32
25	1"	25	85	77	153	57.5	37
32	1 1/4"	32	96	80	153	71.5	47
40	1 1/2"	38	114	91	183	79	52
50	2"	50	134	98	183	97	63
65	2 1/2"	65	180	138	246	124.5	80
80	3"	80	200	149	246	149	94
100	4"	100	228	175	246	180.6	123.5