

## Edelstahlkugelhahn, 3-teilig, Anschweißende/ Stainless steel ball valve, 3-pc., butt weld ends PA-012.566.P

### Technische Daten

**Bauform**  
 3-teilig  
 voller Durchgang  
 mit Handhebel  
 Gehäuse: Edelstahl 1.4408  
 Kugel: Edelstahl 1.4408  
 Dichtung: R-PTFE

### Specification

**Design**  
 3-piece  
 full port  
 with handle  
 body: 1.4408  
 ball: 1.4408  
 seat: R-PTFE

### Anschluss

Beidseitig Anschweißende  
 DN 8 - DN 100

### Connection

Butt weld ends  
 DN8 – DN 100

### Betriebsdruck

PN 63

### Pressure Range

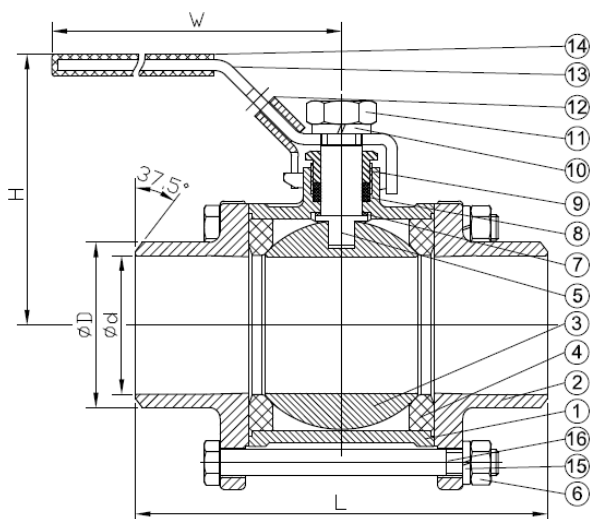
PN 63

### Betriebstemperatur

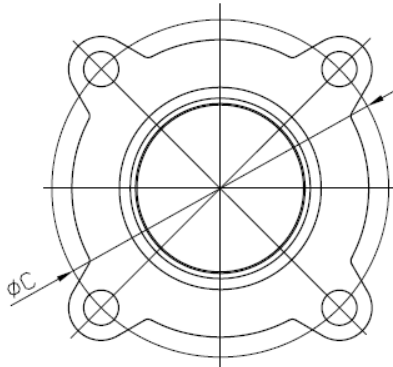
max. 180°C

### Temperature Range

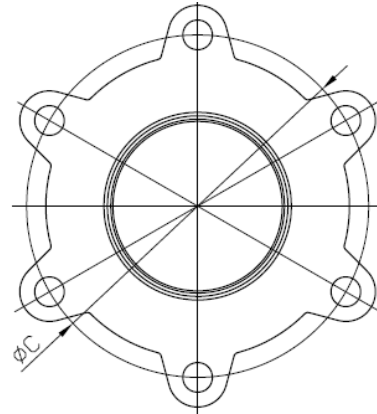
max. 180°C



| NO. | Part Name      | Materials     |
|-----|----------------|---------------|
| 1   | Body           | 1.4408 / CF8M |
| 2   | Cap            | 1.4408 / CF8M |
| 3   | Ball           | 1.4408 / CF8M |
| 4   | Seat           | PTFE          |
| 5   | Stem           | SS316         |
| 6   | Hex Nut        | SUS304        |
| 7   | Thrust Washer  | PTFE          |
| 8   | Packing        | PTFE          |
| 9   | Gland          | SUS304        |
| 10  | Spring Washer  | SUS304        |
| 11  | Stem Nut       | SUS304        |
| 12  | Locking Device | SUS304        |
| 13  | Handle         | SUS304        |
| 14  | Plastic Cover  | Plastic       |
| 15  | Bolt Washer    | SUS304        |
| 16  | Plastic Cover  | SUS304        |



1/4"-2 1/2"



3"-4"

| Size |        | d   | L   | H   | W   | C     | D     |
|------|--------|-----|-----|-----|-----|-------|-------|
| DN   | NPS    |     |     |     |     |       |       |
| 8    | 1/4"   | 10  | 70  | 52  | 102 | 37.5  | 17    |
| 10   | 3/8"   | 12  | 70  | 54  | 102 | 37.5  | 17    |
| 15   | 1/2"   | 16  | 75  | 62  | 123 | 45.5  | 21.3  |
| 20   | 3/4"   | 20  | 90  | 66  | 123 | 52.5  | 26.7  |
| 25   | 1"     | 25  | 100 | 77  | 153 | 57.5  | 33.6  |
| 32   | 1 1/4" | 34  | 110 | 80  | 153 | 71.5  | 42.4  |
| 40   | 1 1/2" | 39  | 125 | 91  | 183 | 79    | 48    |
| 50   | 2"     | 51  | 150 | 98  | 183 | 97    | 60.5  |
| 65   | 2 1/2" | 65  | 190 | 138 | 246 | 124.5 | 76.1  |
| 80   | 3"     | 78  | 220 | 149 | 246 | 149   | 88.9  |
| 100  | 4"     | 100 | 270 | 175 | 246 | 180.6 | 114.2 |