

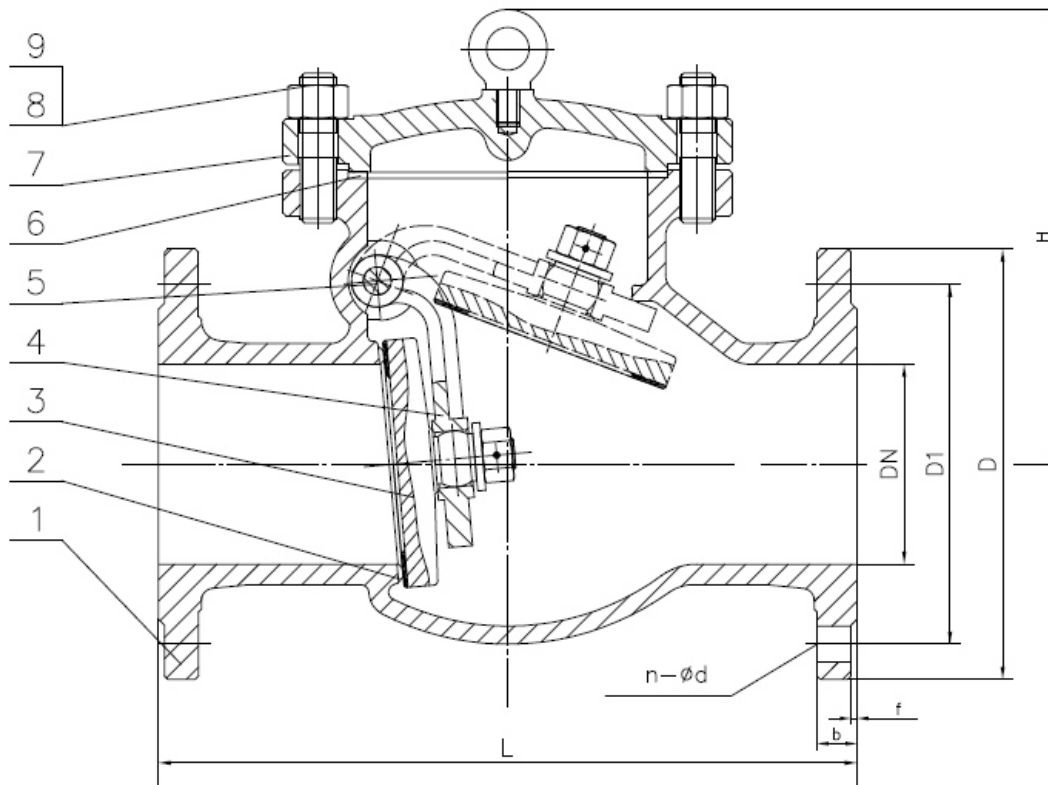
## Rückschlagklappe, Stahl und Edelstahl/ Swing check valve, steel and stainless steel PA-450/460

Technische Daten	Specification
<b>Bauform</b>	<b>Design</b>
Innenliegende Welle	Inside stem
Baulänge nach F6 (PN 16) oder F1 (PN 25, PN 40)	Face to face according to F6 (PN 16) or F1 (PN 25, PN 40)
Gehäuse: GS-C25 oder 1.4408	Body: GS-C25 or 1.4408
Trim: 13% Cr oder Edelstahl	Trim: 13% Cr or stainless steel

Anschluss	Connection
Flanschen-Rückschlagklappe nach DIN 3202	Swing check valve with flanges according to DIN 3202

**PA-450.235:** Gehäuse: GS-C25, PN 16 **PA-450.235:** Body: GS-C25, PN 16  
**PA-450.335:** Gehäuse: GS-C25, PN 25 **PA-450.335:** Body: GS-C25, PN 25  
**PA-450.435:** Gehäuse: GS-C25, PN 40 **PA-450.435:** Body: GS-C25, PN 40

**PA-460.266:** Gehäuse: 1.4408, PN 16 **PA-460.266:** Body: 1.4408, PN 16  
**PA-460.366:** Gehäuse: 1.4408, PN 25 **PA-460.366:** Body: 1.4408, PN 25  
**PA-460.466:** Gehäuse: 1.4408, PN 40 **PA-460.466:** Body: 1.4408, PN 40



Nominal Diameter	Main Dimension (mm) - PN 16							
	D	b	D1	D2	f	n-Ø	L	H
40	150	16	110	88	3	4-Ø	200	145
50	165	18	125	102	3	4-Ø	230	150
65	185	18	145	122	3	4-Ø	290	180
80	200	20	160	138	3	8-Ø	310	190
100	220	20	180	158	3	8-Ø	350	210
125	250	22	210	188	3	8-Ø	400	240
150	285	22	240	212	3	8-Ø	480	270
200	340	24	295	268	3	12-Ø	600	320
250	405	26	355	320	3	12-Ø	730	380
300	460	28	410	378	4	12-Ø	850	430
350	520	30	470	438	4	16-Ø	980	500
400	580	32	525	490	4	16-Ø	1100	560
450	640	34	585	550	4	20-Ø	1200	610
500	715	36	650	610	4	20-Ø	1250	680
600	840	40	770	725	4	20-Ø	1450	790

No.	Part name	Material
1	Body	1.4408
2	Seat sealing	1.4408
3	Disc	1.4408
4	Hinge	1.4408
5	Hinge Pin	1.4401
6	Gasket	SS316+graphite
7	Cover	1.4408
8	Cover bolt	ASTM A193 B8M
9	Cover nut	ASTM A194 8M
<b>SS swing check valve PN16bar with counterweight</b>		
Design and manufacture	DIN3840/EN14341	
Face to face dimensions	EN558/DIN3202-F1	
Flange ends dimensions	EN1092-1/DIN2543	
Pressure test	DIN3230/EN12266	