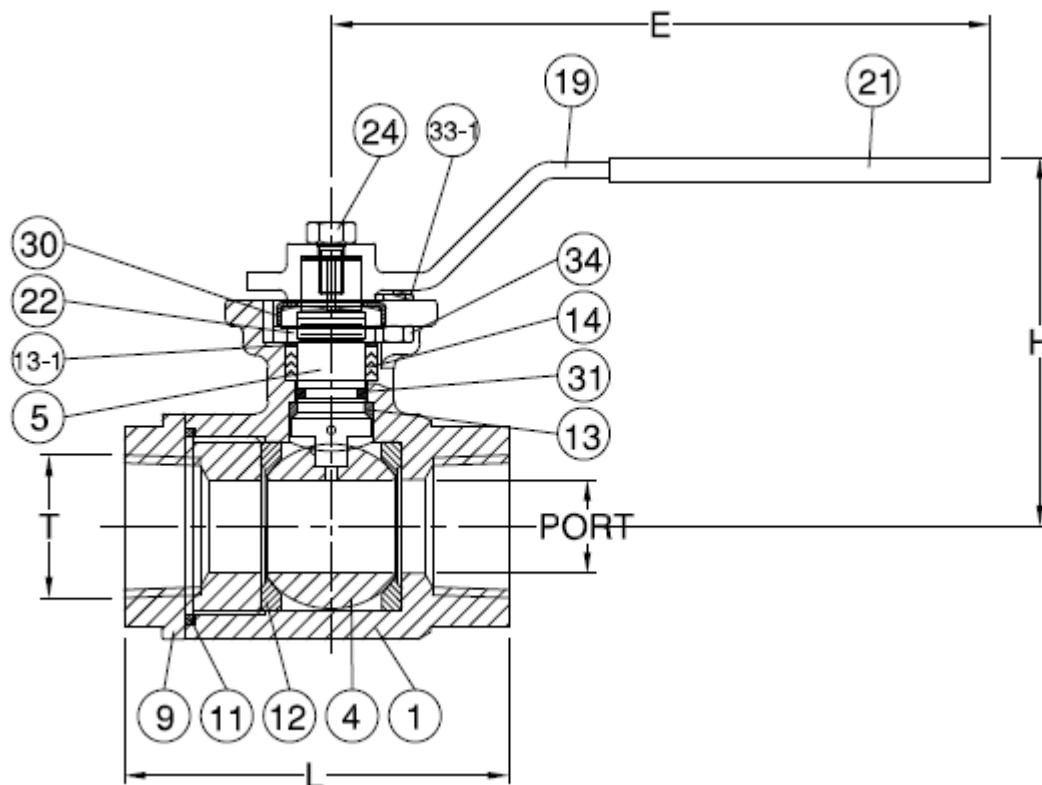
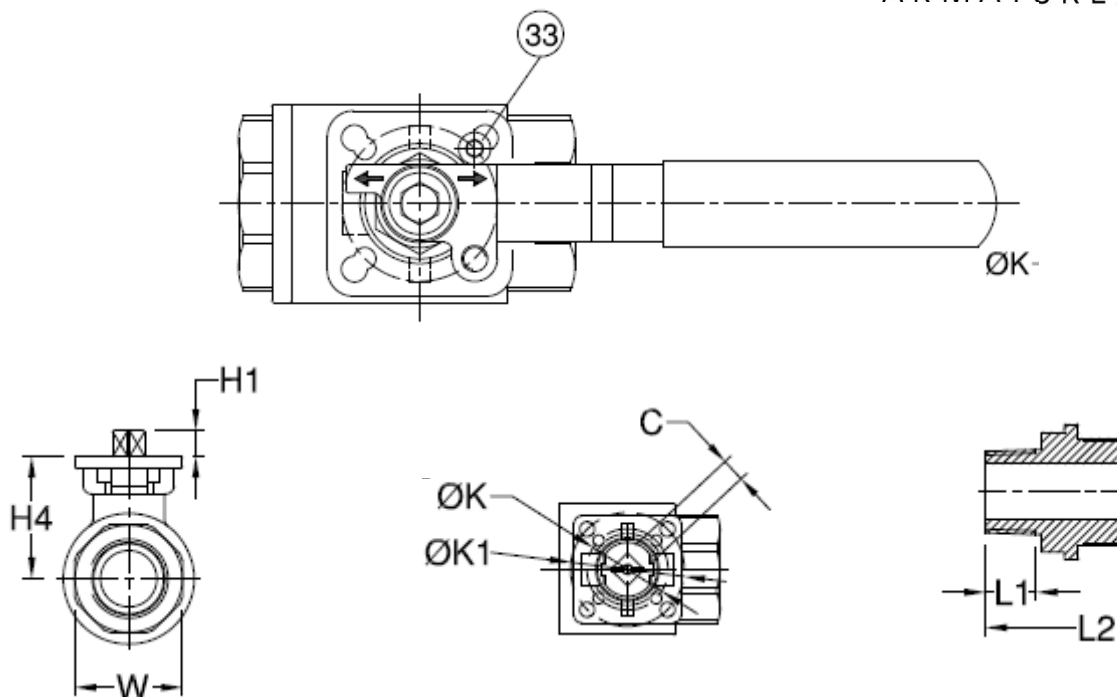


Gewinde-Kugelhahn, Edelstahl, Gewindeende/ Threaded ball valve, stainless steel, threaded ends PA-284HP.866

Technische Daten	Specification
Bauform	Design
2-teilig	2-piece
Entlastungsbohrung	Release bore
Ausblasseichere Spindel	Blow-out proof stem
ISO-Direktaufbauflansch	ISO-Directmountingpad
Anschluss	Connection
Beidseitig Innengewinde	Female thread
¼" - 2"	¼" - 2"
Gewinde nach DIN 2999	Thread according to DIN 2999
Betriebsdruck	Pressure Range
PN 205	PN 205
Betriebstemperatur	Temperature Range
max. 260°C	max. 260°C





No.	Part name	Material
1	Body	ASTM A351 Gr. CF8M
4	Ball	ASTM A351 Gr. CF8M
5	Stem	ASTM A276 SS316
9	End cap	ASTM A351 Gr. CF8M
11	Body seal	Graphite
12	Seat	Peek
13	Thrust washer	Peek
13-1	Thrust washer	PTFE + 50% S.S
14	Stem packing	Graphite
19	Handle	SS304
21	Handle cover	Plastic
22	Stem nut	SS304
24	Handle nut	SS304
30	Lock saddle	SS304
31	O-ring	Viton
33	Stop bolt	SS304
33-1	Stop washer	SS304
34	Stop nut	SS304

Size	Port	L	L1	L2	C	E	H	H1	H4	ØK	ØK1	W	
DN8	1/4"	9.6	75.0	11.4	88.9	9.0	126.0	72.0	8.0	41.0	F04	F03	25.9
DN10	3/8"	9.6	75.0	11.4	88.9	9.0	126.0	72.0	8.0	41.0	F04	F03	25.9
DN15	1/2"	12.7	75.0	15.0	92.0	9.0	126.0	72.0	8.0	41.0	F04	F03	32.6
DN20	3/4"	17.5	81.0	16.0	99.0	9.0	126.0	75.0	8.0	43.8	F04	F03	38.4
DN25	1"	22.1	91.0	20.0	113.0	11.0	156.0	87.0	10.0	53.5	F05	F04	47.2
DN32	1 - 1/4"	29.0	110.0	21.0	127.1	11.0	156.0	93.0	10.0	59.0	F05	F04	58.9
DN40	1 - 1/2"	34.7	121.0	22.0	141.0	14.0	181.0	114.0	13.0	75.2	F07	F05	66.2
DN50	2"	34.7	145.0	23.0	155.0	14.0	181.0	114.0	13.0	75.2	F07	F05	82.0